

PTZ Dome Junction Box

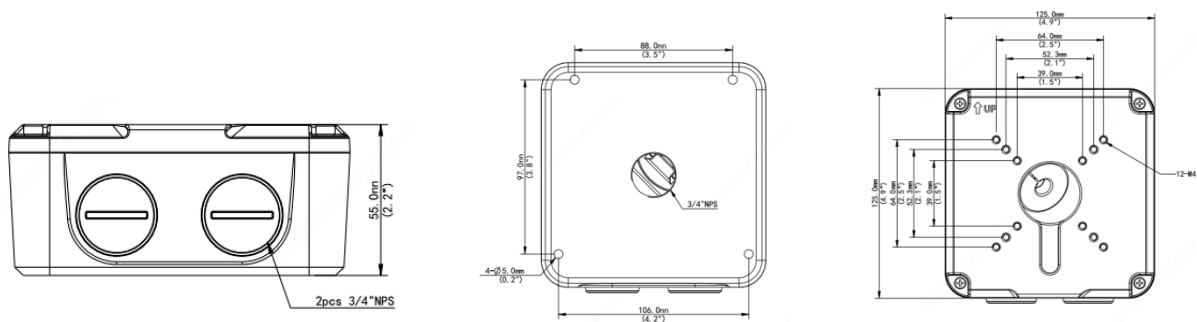
B-JB07-D-IN



Specifications

| | |
|-------------|--|
| Bracket | B-JB07-D-IN |
| Application | Outdoor or indoor cable junction box for IPC-P1EX series PTZ dome camera |
| Dimensions | Φ125mm*125mm*55mm (4.92" x4.92"x2.17") |
| Weight | 0.75kg(1.65lb) |
| Material | Aluminum alloy |

Dimensions



www.uniview.com/uniarch

©2021 Zhejiang Uniview Technologies Co.,Ltd. All rights reserved.

*Product specifications and availability are subject to change without notice.